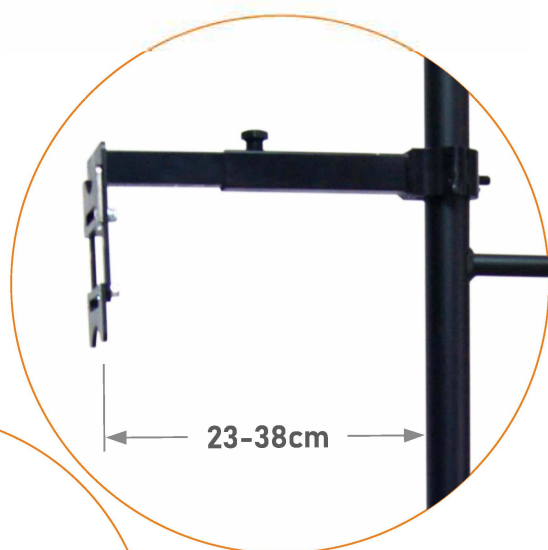


Height	2.11 m* (LWS-2) 7.25 ft
Working surface	100x106/110/114 cm (3.28x3.48/3.6/3.74 ft)
Weight	36 kg (LWS-2) 80 lb
Material	Aluminum 6082 T6 + Steel
Finish	Black

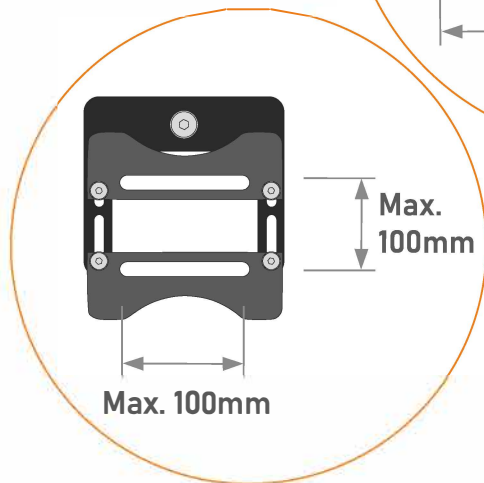
STACKED LED SUPPORT

LWS-2



23-38cm

side entry clamp with the
universal connection
plate mounted

Max.
100mm

Max. 100mm

211cm



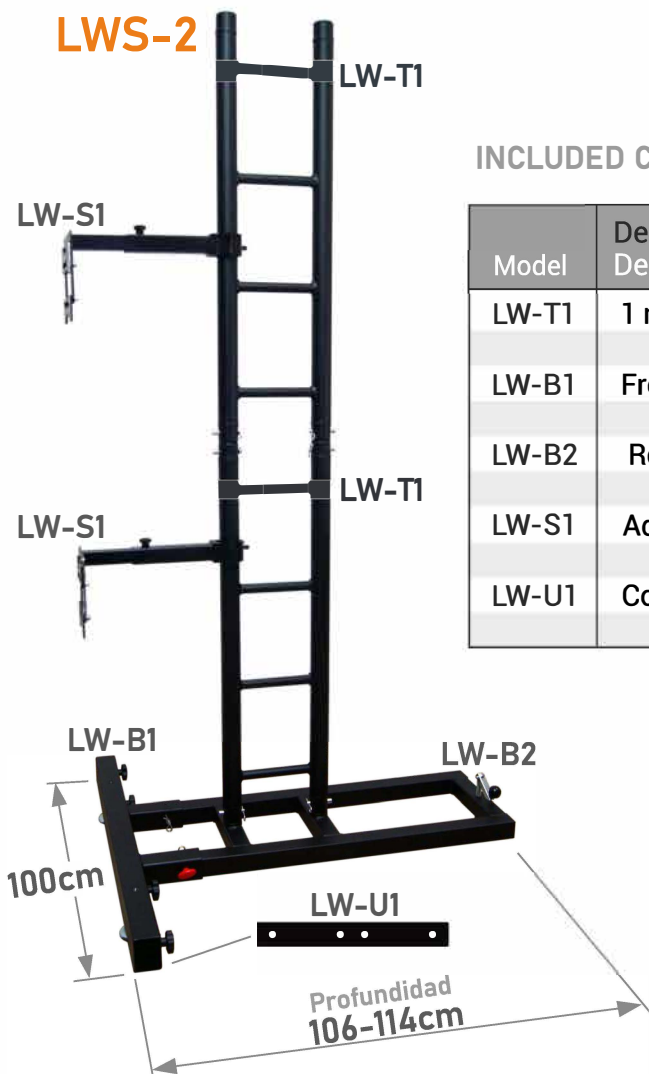
2 adjustable front spindles + 1
adjustable back spindle, you
can safely level the system.

COUNTERWEIGHT PER METER

Model	Height (m)	Carga distribuida Distributed load (kg/ml)	Counterweight (kg/ml)
LWS-2	2	34	32
LWS-3	3	98	93
LWS-4	4	169	160

STACKED LED SUPPORT

LWS-2



INCLUDED COMPONENTS (WEIGHTS)

Model	Descripción Description	Peso (kg) Weight
LW-T1	1 m black ladder truss section	4
LW-B1	Front base with stabilisers	9
LW-B2	Rear base with stabilisers & truss eggs	13
LW-S1	Adjustable screen support arm	2
LW-U1	Connection plate for LW-B1 bases	2

COMPLETE MODULE WEIGHTS

Modelo Model	Altura (m) Weight	Peso 1 módulo (kg) Weight 1 module
LWS-2	2	36
LWS-3	3	44
LWS-4	4	52



By using connection plate, you can easily extend you screen with another row of panels.



STACKED LED SUPPORT

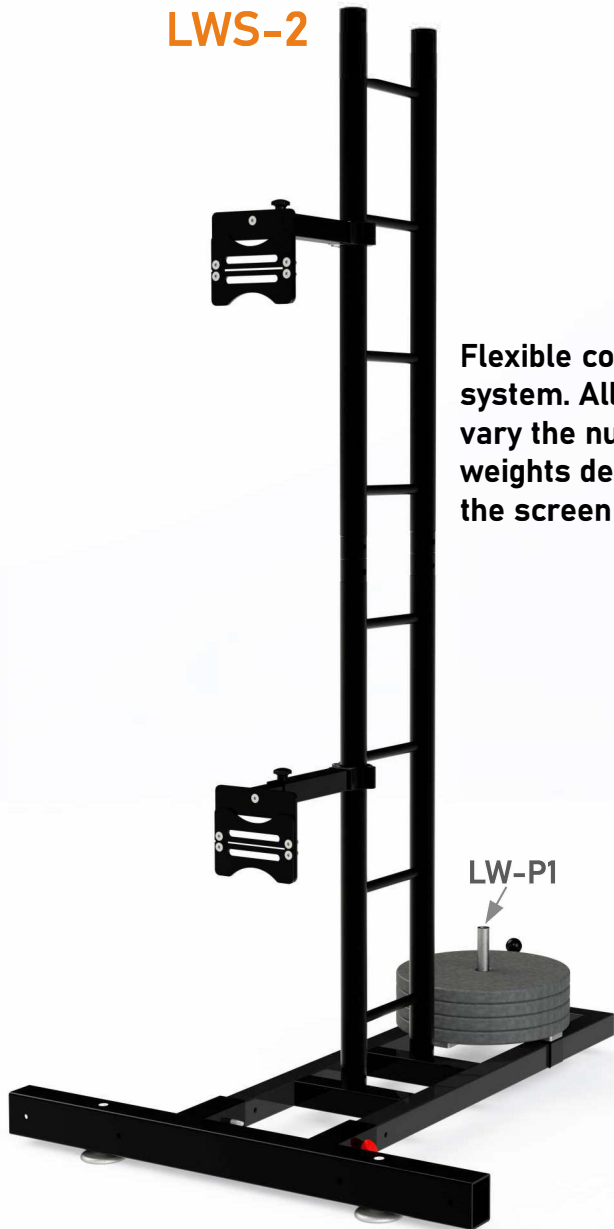
OPTIONAL ACCESSORIES

LWS-2

Model	Descripción Description
LW-P1	Counterweight support with Ø25mm bar*
LW-S2	Telescopic Reinforcement bar between stacks
LW-S3	Reinforcement bar between stacks

*Weights not included

Flexible counterweight system. Allows you to vary the number of weights depending on the screen size.



LW-S2

LW-S3

